



The ViLX-CNP-66 weatherproof cancel button is fully compatible with the Lexicomm EVC range of equipment and the standalone Assist Call range.

IP66 Weatherproof enclosure

Ideal for showers/wet areas

Stainless Fascia

Polycarbonate Back box

Flush or surface mounting

BS 8300-2:2018 "Acknowledge" feature

Overview

The ViLX-CNP-66 is used to cancel the alarm; the cancel button is recommended for showers and other wet areas where a standard cancel may be unsuitable.

The cancel button is finished in brushed stainless steel with a blue indicator for the visual alarm.

Operation

The indicator flashes blue when the alarm is activated, when acknowledged it indicates steady. The button is a momentary sprung switch which cancels the alarm when pressed.

Generally, one cancel button is used, sometimes 2 units are required, if this is the case refer to Vox Ignis technical dept for guidance.

Mounting Information

It should be mounted at between 800mm to 1000mm with a lower call button mounted at 100mm from the floor.

There are 5 x 20mm cable entries provided, at top, bottom and side entry, cable entry for the rear via cut-out is also provided. See drawings overleaf for full details.

Wiring Information

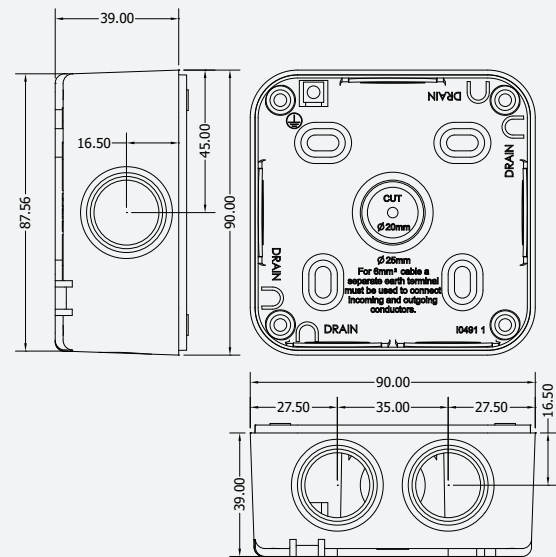
For simplicity, all wiring is a standard two core cable, the wiring order of the devices is not fixed and therefore can be wired in any order to give total flexibility.



Technical Specification

DETAILS	VILX-CNP-66
PHYSICAL	
Height	100mm
Width	100mm
Depth	60mm
Weight	250 g
Material	Stainless Steel/ Acrylic
Finish	Brushed
PART NUMBERS	
Cancel Plate	ViLX-CNP-66
RECOMMENDED CABLES	
Type	PVC or Fire Rated*
Cores	2 core 1mm CSA
Distance	500m from compatible panel/ controller
STANDARDS COMPLIANCE	
EMC	EMC EN 55035:2017+A11:2020 EN 55032:2015+A1:2020
LVD	EN IEC62368-1:2020 + A11:2020
Product Family	BS 5839-9:2021 BS 8300-2:2018
*If connected to a Refuge Point	

Mounting Box Detail



ISO View

