



All Lexicomm Emergency Voice Communications Systems (EVCS) are designed to comply fully with the requirements of BS5839-9:2011 for use as a Disabled Refuge System (DRS) with integrated Emergency Assist Alarm System.

The Assist Call Repeater Panel provides remote annunciation and acknowledgement of Assist Call activation as part of a Lexicomm network system.



Key Features:

- ◆ **2.8" TFT touch screen colour display**
- ◆ **High volume sounder with volume control**
- ◆ **Connects to Lexicomm System Expanders**
- ◆ **Aesthetically pleasing stainless finish**
- ◆ **No local power required**
- ◆ **Can be Located up to 30m from the expander using Cat 5 Cable**

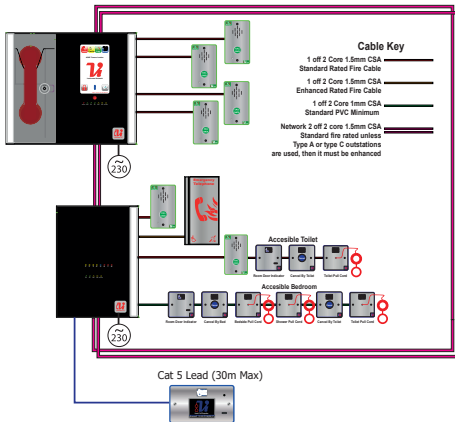
The Lexicomm ViLX-ACR is ideal for mounting within a reception desk or on a wall due to its compact size and pleasing aesthetics.

It connects to the Lexicomm network via the nearest ViLX-EX8 System Expander panel via Cat 5 cable, plugging in to a dedicated port. It can be located up to 30m away and does not require a power supply and does not take a line output.

It has brushed stainless steel finish, 2.8" high contrast full colour touch screen display. Sized at 146mm x 86mm, it mounts onto 25mm deep standard double gang electrical box.

ViLX-ACR

Assist Call Repeater



Operation

When the Assist Call Repeater Panel is activated, the blue halo indication flashes and the buzzer sounds to make the user aware that there is a call.

To accept the call, touch the screen icon. The blue halo will be continuously lit, and the buzzer will beep periodically to indicate the call has been acknowledged.

Acknowledging the call provides audible and visual feedback to the occupant of the WC that help is on the way.

Up to three alarms are shown on the screen at any time. If further alarms are present then these can be scrolled through using the touch screen. The quantity of alarms present on the system at any time is displayed on the bottom line.

When the alarm is cancelled, the blue halo will be extinguished and the buzzer silenced.

Technical Specification

Physical

Height	86mm
Width	146mm
Depth	18mm
Weight	300 g
Material	Stainless Steel / Acrylic
Finish	Brushed

Recommended Cables

Type	Cat 5
Cores	4 Pairs 0.22mm
Distance	30m

Standards Compliance

EMC	EN55103-1, EN55103-2
Product Family	BS5839-pt9, BS8300

Part Numbers

Remote Alarm	Part ViLX-ACR
--------------	---------------



Mounting

The ViLX-ACR is not supplied with a back-box as it can be used with any "MK" style double gang back-box over 25mm deep. To accept cable glands the back box needs to be 35mm deep including metal clad surface types and plastic plasterboard liner boxes.

The unit should be placed in a permanently staffed area in accordance with Building Regulations Document M (Access for the Disabled) and BS8300-2:2018.

When flush mounting use the back-box manufacturers recommended cut out.

All information is believed to be correct at time of printing E&OE. VOX Ignis operates a policy of continuous improvement; always confirm specification details before purchase.

Designed and manufactured in the North East of England by VOX Ignis Limited, registered in England 8892407. North East Business & Innovation Centre, Enterprise Park East, Sunderland, SR5 2TH, UK.

