



All Lexicomm Emergency Voice Communications Systems (EVCS) are designed to comply fully with the requirements of BS5839-9:2011 for use as a fire telephone system (FT), disabled refuge system (DRS) or as a combined system when both fire telephones and disabled refuge call points are required.



Key Features:

- ◇ **4.3" Full Colour Touch-screen**
- ◇ **Fully Compliant to BS5839-9**
- ◇ **Integrated Assist Call with acknowledge meeting BS8300**
- ◇ **1.5A EN54-4:A2 PSU**
- ◇ **Full Duplex operation**
- ◇ **Wall mount enclosure**
- ◇ **Lockable handset cover**
- ◇ **Expandable from 2 to 512 lines**
- ◇ **Inbuilt networking**

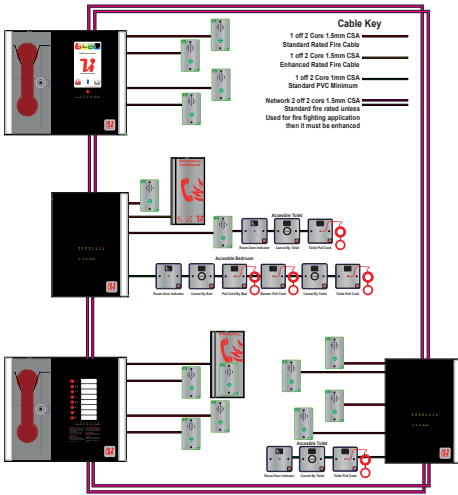
An EVCS is a fixed, secure, bi-directional, full duplex voice communication system to assist fire fighters during emergencies in high rise buildings or large sites where radio communication cannot be guaranteed to work due to interference from the fire corona.

The Lexicomm ViLX-TMS Master station can accept up to eight lines of outstation, (Type A fixed phones, Type B refuge hands free points, emergency assist alarm point or jack points in Far East and Middle East applications) as required.

The touch-screen layout has four buttons allowing quick access to the main functions, and permanently displaying the number of current calls, alarms and faults.

Emergency Assist Alarm calls can be acknowledged by pressing the Icon on screen (as required by BS8300) and will return to alarm if not reset within two minutes.

The ViLX-TMS has inbuilt networking allowing it to form one of the 64 panels on a Lexicomm network installation allowing a total of 512 outstations to be accommodated. Each panel can be a master station or ViLX-EX8 network expander.



The Lexicomm ViLX-TMS is a self contained enclosure housing a master handset, 4.3" touch screen, one to four dual line cards, an EN54-4:A2 2006 power supply & battery charger and can be surface or flush mounted (Using the ViLX-CBZ Bezel).

The case is made from powder coated zinc, with a smoked perspex door covering the handset. 20mm cable knock-outs are provided for all necessary cables as well as space for the single 12V VRSLA backup battery required.

The master station is configured using a spreadsheet (excel and open office) and installed using the MMC card, this also holds the site logs. The whole site can be configured from any master station.

Each outstation has three labels, one for Emergency Assist, one for EVCS and one for Fault text, each label is two lines of twenty characters. Each Master station can be programmed to answer specific outstations, and these can differ from day to night.

Technical Specification

Power Supply and Charger

AC input	230VAC +/- 10% 50/60Hz
Internal supply	5V, 16V, 27V DC
Supply	Monitored Open, Short, Fuses, High Impedance
Protection	Deep discharge, Short, Thermal
Battery type	1 x 12V 7AH VRSLA
Mains fuse	240V 1A HRC
Battery fuse	750mA PTC
Charge current	400mA

Inputs

Lines	2-8 in 2 line blocks
Remote enable	Short to use
End of line	10KΩ

Outputs

Number	2, Fault & In use
Type	Volt free relay
Contact	30V DC 1A

Controls

Buttons	3 Navigation keys
Touch-screen	4.3" 272 x 480 x RGB
State LED	1, RGB indicator
Fault LEDs	3, PSU, System, General
Supply LEDs	2, AC, DC present

Network Cables

Type	Enhanced*
Cores	2x2 core 1mm or 1.5mm
Distance	500m

Standards Compliance

EMC	EN55103-1, EN55103-2
LVD	EN60065
Product Family	BS5839-pt9, BS9999, BS8300

Dimensions

	Panel	Bezel	Cut-out
Height	300mm	350mm	305mm
Width	350mm	400mm	355mm
Depth	95mm	1mm	85mm
Weight	5Kg		

*Refer to BS5839-9:2011 for exceptions

All information is believed to be correct at time of printing E&OE. VOX Ignis operate a policy of continuous improvement; always confirm specification details before purchase. Designed and manufactured in the North East of England by VOX Ignis Limited, registered in England 8892407. North East Business & Innovation Centre, Enterprise Park East, Sunderland, SR5 2TH, UK.

